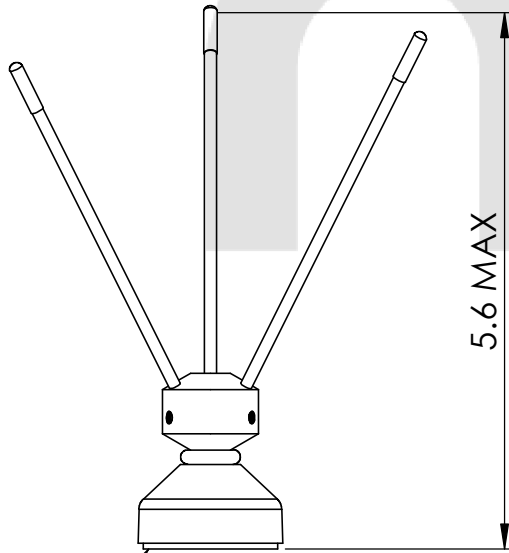
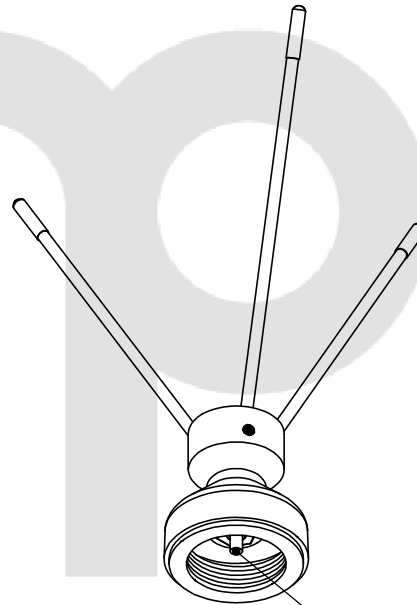


2.7 MAX

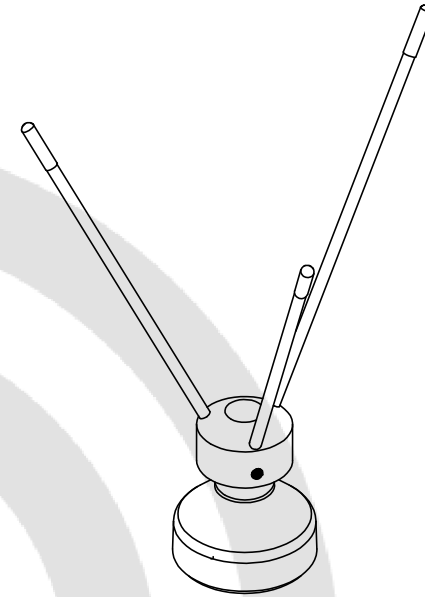


5.6 MAX

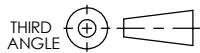
GASKET



STANDARD LOW FREQUENCY
NMO MOUNT



MP ANTENNA, LTD.
147 Eady Court
Elyria, OH 44035
www.mpantenna.com



THIRD
ANGLE

DIMENSIONS
ARE IN INCHES

	NAME	DATE
DRAWN	BM	12/18/14

PROPRIETARY AND CONFIDENTIAL
THE INFORMATION CONTAINED IN THIS
DRAWING IS THE SOLE PROPERTY OF
MP ANTENNA, LTD. ANY REPRODUCTION
IN PART OR AS A WHOLE
WITHOUT THE WRITTEN PERMISSION OF
MP ANTENNA LTD IS PROHIBITED.

DESCRIPTION:
400 MOBILE NMO ANTENNA
FREQUENCY RANGE:
400 TO 500 MHz

PART NO.
08-ANT-0864