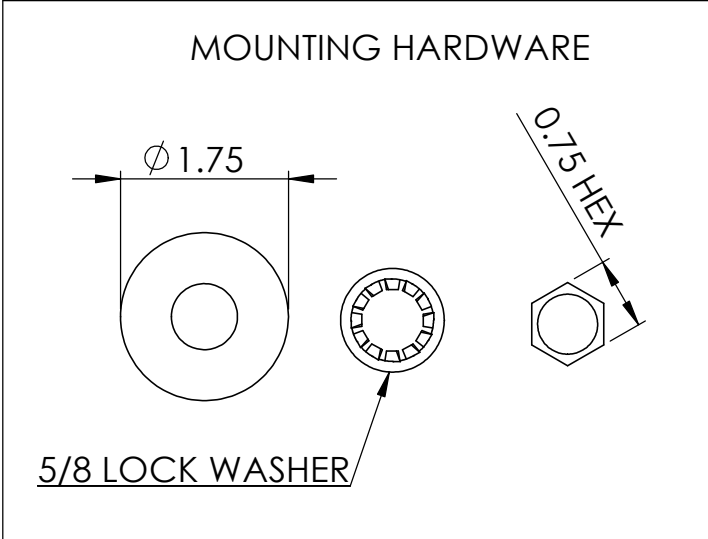
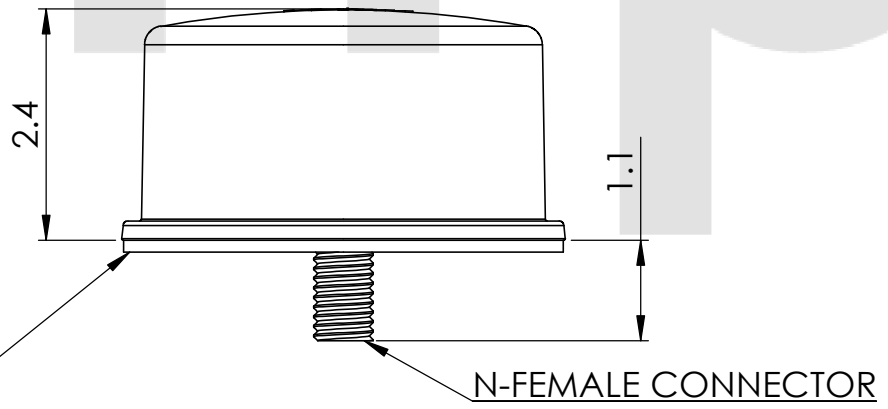
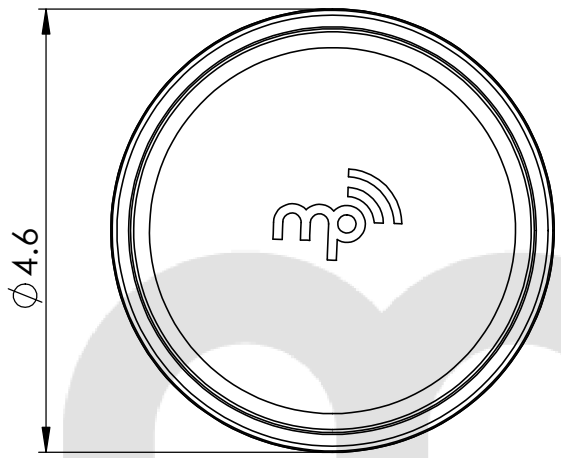
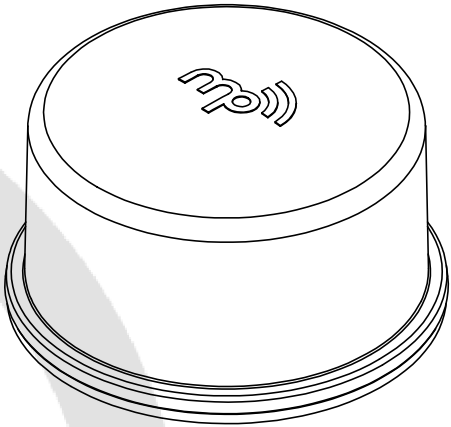


FREQUENCY RANGE	MOUNTING HOLE DIAMETER	MOUNTING SURFACE MAX THICKNESS	COLOR
2.4-6 GHz	0.65 INCHES MIN 1.0 INCHES MAX	0.125 INCHES	WHITE



MP ANTENNA, LTD.  
147 Eady Court  
Elyria, OH 44035  
www.mpantenna.com

THIRD ANGLE	DIMENSIONS ARE IN INCHES	
	NAME	DATE
DRAWN	BM	12/30/14

**PROPRIETARY AND CONFIDENTIAL**  
THE INFORMATION CONTAINED IN THIS DRAWING IS THE SOLE PROPERTY OF MP ANTENNA, LTD. ANY REPRODUCTION IN PART OR AS A WHOLE WITHOUT THE WRITTEN PERMISSION OF MP ANTENNA LTD IS PROHIBITED.

DESCRIPTION:  
2.4-6 GHz OMNI

PART NO.  
08-ANT-0894-WH-M