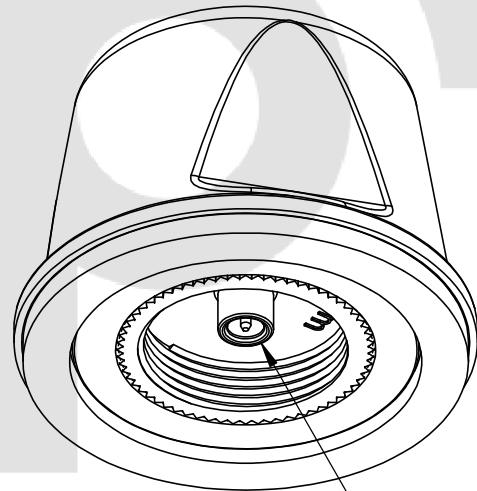
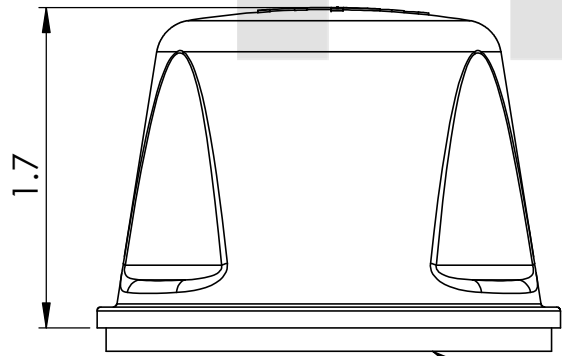
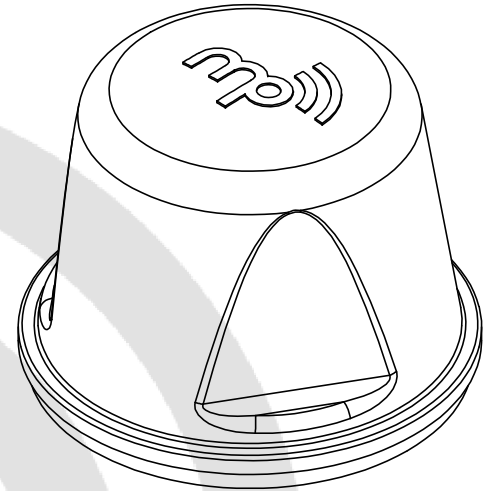
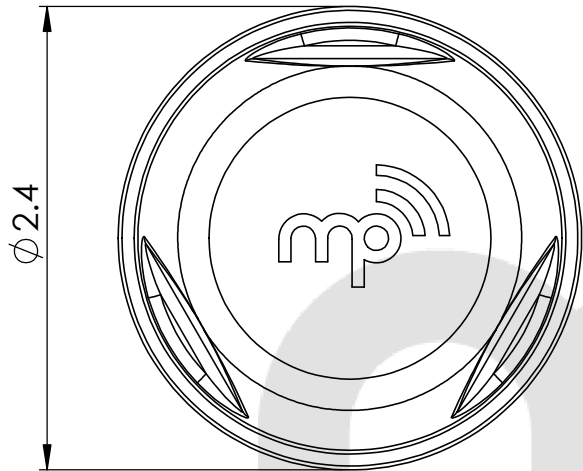


FREQUENCY RANGE	COLOR
2-3 GHz	BLACK



HIGH FREQUENCY PIN STYLE NMO MOUNT

GASKET

MP ANTENNA, LTD.
147 Eady Court
Elyria, OH 44035
www.mpantenna.com

THIRD ANGLE	DIMENSIONS ARE IN INCHES	
	NAME	DATE
DRAWN	BM	12/30/14

PROPRIETARY AND CONFIDENTIAL
THE INFORMATION CONTAINED IN THIS DRAWING IS THE SOLE PROPERTY OF MP ANTENNA, LTD. ANY REPRODUCTION IN PART OR AS A WHOLE WITHOUT THE WRITTEN PERMISSION OF MP ANTENNA LTD IS PROHIBITED.

DESCRIPTION:
2.4 GHz NMO OMNI

PART NO.
08-ANT-0899