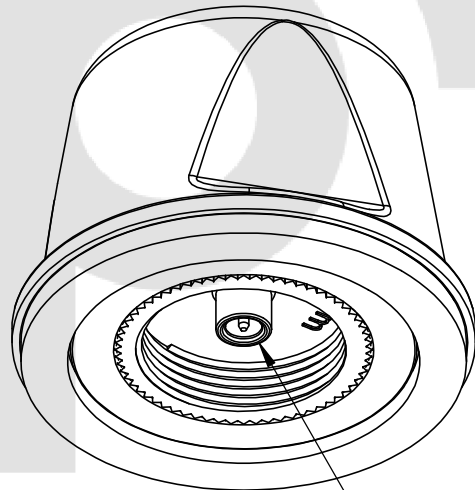
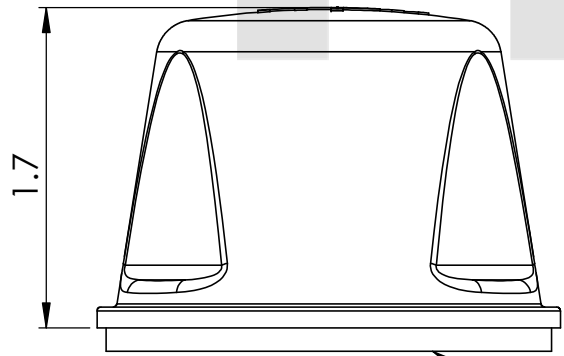
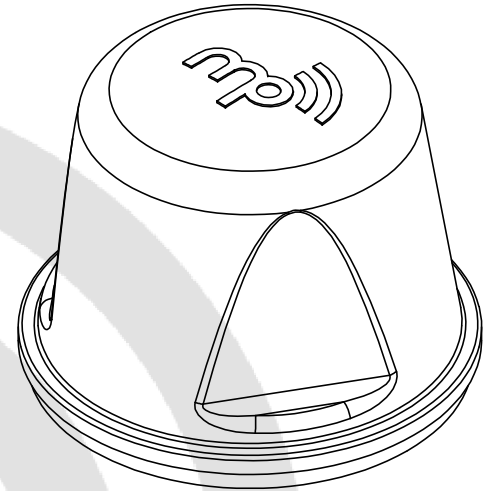
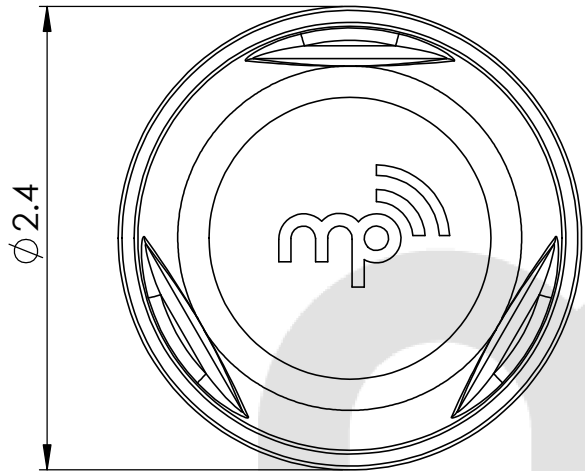


| | |
|----------------------|-------|
| FREQUENCY RANGE | COLOR |
| 2-3 GHz; 4.9-5.9 GHz | BLACK |



HIGH FREQUENCY PIN STYLE NMO MOUNT

GASKET

MP ANTENNA, LTD.
147 Eady Court
Elyria, OH 44035
www.mpantenna.com

| | | |
|-------------|--------------------------|----------|
| THIRD ANGLE | DIMENSIONS ARE IN INCHES | |
| | NAME | DATE |
| DRAWN | BM | 12/30/14 |

PROPRIETARY AND CONFIDENTIAL
THE INFORMATION CONTAINED IN THIS DRAWING IS THE SOLE PROPERTY OF MP ANTENNA, LTD. ANY REPRODUCTION IN PART OR AS A WHOLE WITHOUT THE WRITTEN PERMISSION OF MP ANTENNA LTD IS PROHIBITED.

DESCRIPTION:
DUAL BAND NMO OMNI

PART NO.
08-ANT-0904