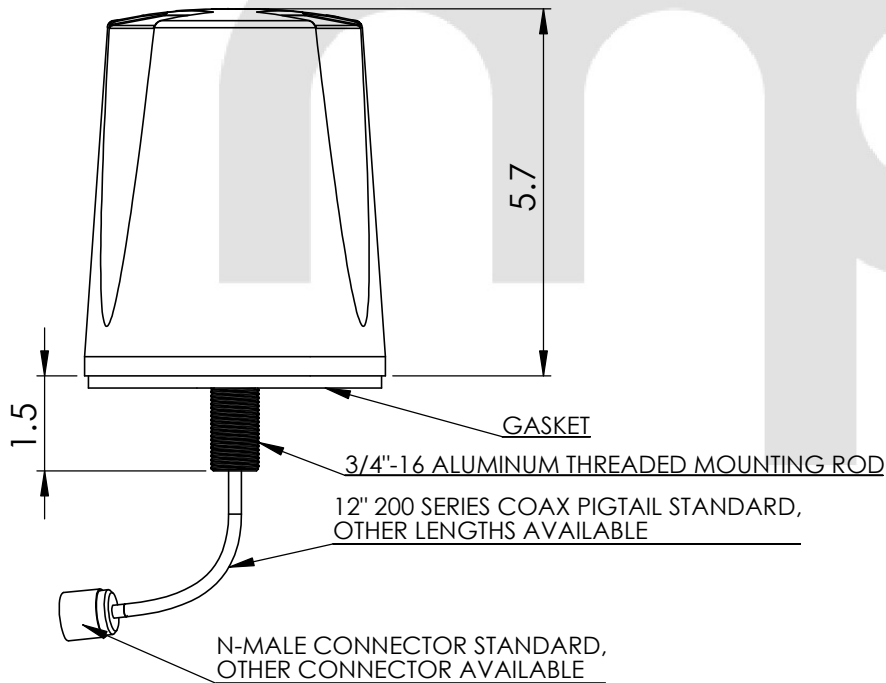
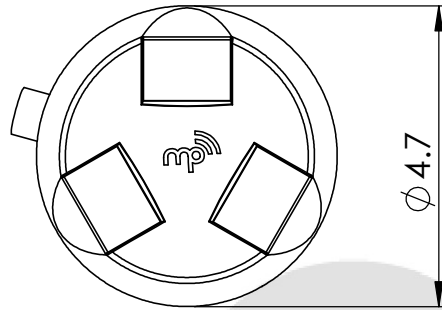
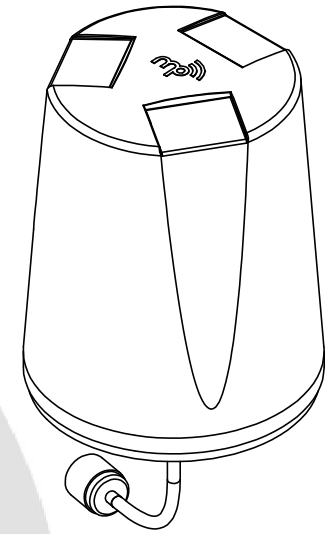


FREQUENCY RANGE	MOUNTING HOLE SIZE	MOUNTING SURFACE MAX THICKNESS	COLOR
Various, Dependent on Part Number	Various, Dependent on Connector Type	1.0 Inches	White or Black



**MOUNTING HARDWARE**

Slotted Washer

Slotted Nut

MP ANTENNA, LTD.  
 147 Eady Court  
 Elyria, OH 44035  
 www.mpantenna.com

THIRD ANGLE	DIMENSIONS ARE IN INCHES	
	NAME	DATE
DRAWN	BM	12/30/14

**PROPRIETARY AND CONFIDENTIAL**  
 THE INFORMATION CONTAINED IN THIS DRAWING IS THE SOLE PROPERTY OF MP ANTENNA, LTD. ANY REPRODUCTION IN PART OR AS A WHOLE WITHOUT THE WRITTEN PERMISSION OF MP ANTENNA LTD IS PROHIBITED.

**DESCRIPTION:**  
 12 MHz Bandwidth  
 Omni Antenna

**Model NO.**  
 08-ANT-0908ST