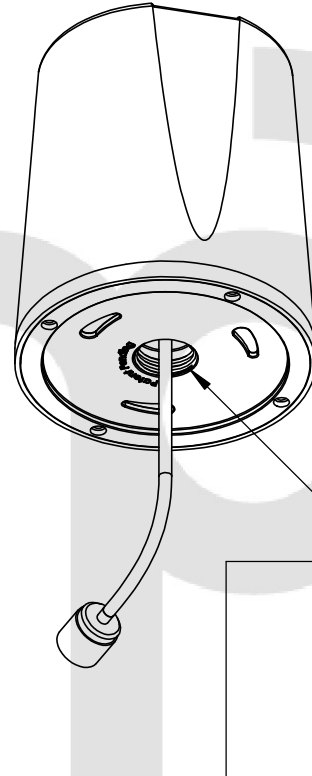
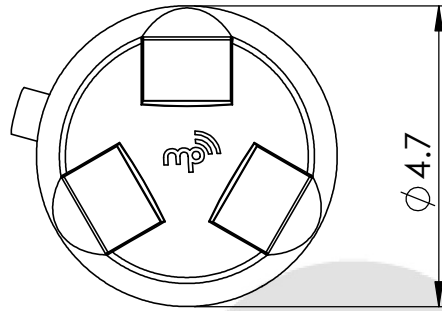
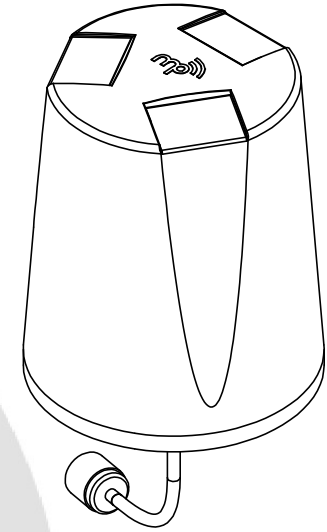
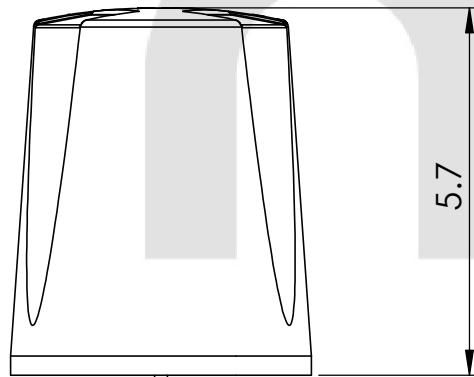


FREQUENCY RANGE	MOUNTING HOLE SIZE	MOUNTING SURFACE MAX THICKNESS	COLOR
Various, Dependent on Part Number	1.03 Inches MIN 1.5 Inches MAX	7 Inches	White or Black



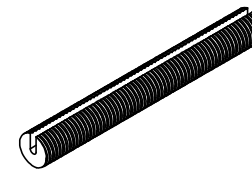
INTERNAL THREADS FOR THREADED MOUNTING ROD



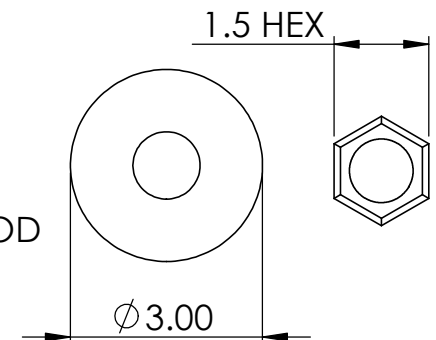
12" 200 SERIES COAX PIGTAIL STANDARD,  
OTHER LENGTHS AVAILABLE

N-MALE CONNECTOR STANDARD,  
OTHER CONNECTOR AVAILABLE

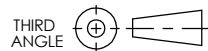
MOUNTING HARDWARE



8" LENGTH  
1"-8 SLOTTED THREADED ROD



MP ANTENNA, LTD.  
147 Eady Court  
Elyria, OH 44035  
www.mpantenna.com



DIMENSIONS  
ARE IN INCHES

	NAME	DATE
DRAWN	BM	12/30/14

**PROPRIETARY AND CONFIDENTIAL**  
THE INFORMATION CONTAINED IN THIS  
DRAWING IS THE SOLE PROPERTY OF  
MP ANTENNA, LTD. ANY REPRODUCTION  
IN PART OR AS A WHOLE  
WITHOUT THE WRITTEN PERMISSION OF  
MP ANTENNA LTD IS PROHIBITED.

DESCRIPTION:  
12 MHz Bandwidth  
Omni Antenna

Model NO.  
08-ANT-0908