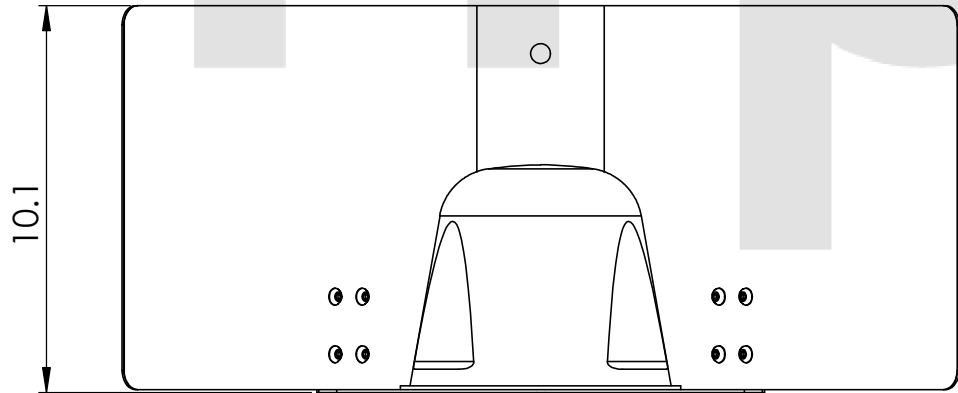
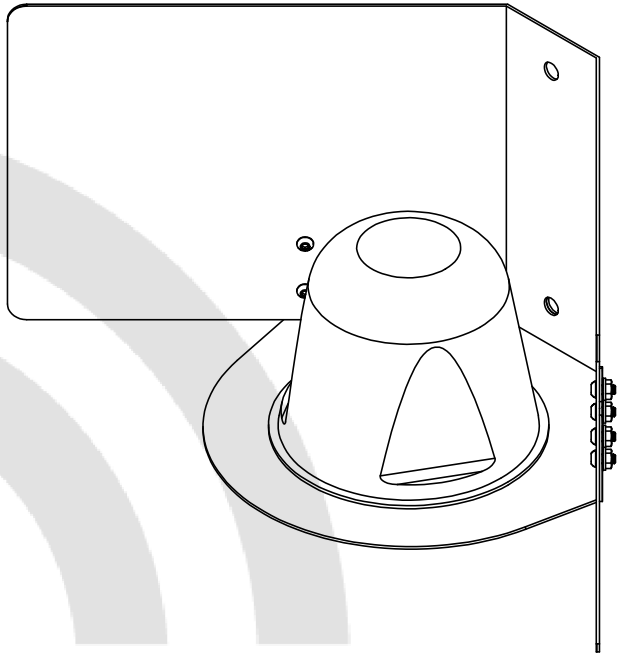
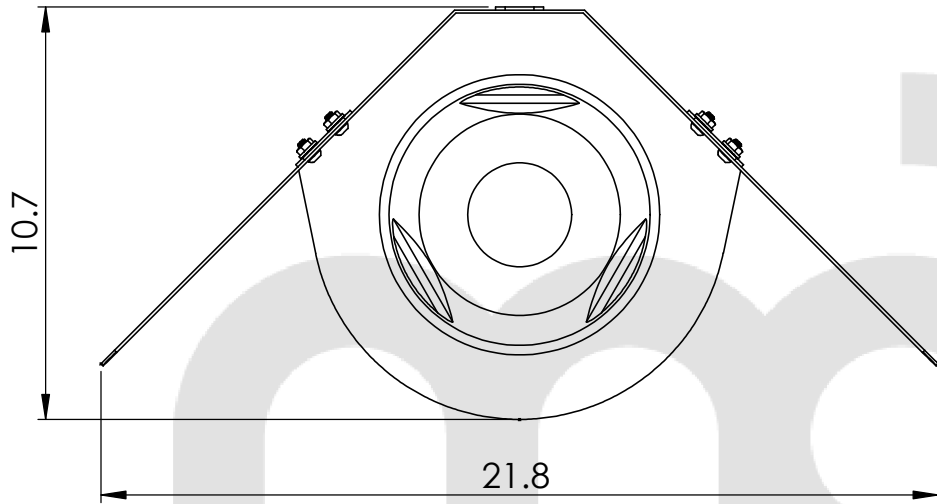
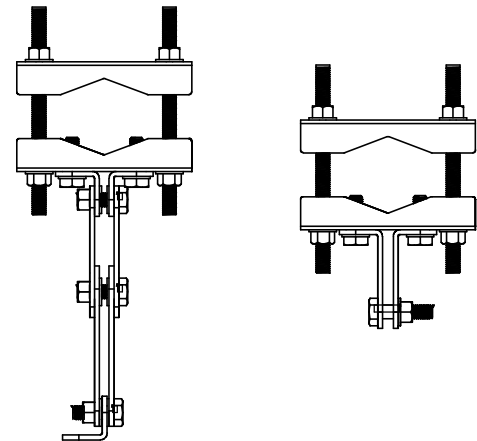


FREQUENCY RANGE	COLOR
902-940 MHz	BLACK




SMA FEMALE CONNECTOR

DOWNTILT MOUNTING HARDWARE



MP ANTENNA, LTD.  
147 Eady Court  
Elyria, OH 44035  
www.mpantenna.com

THIRD ANGLE 

DIMENSIONS ARE IN INCHES

	NAME	DATE
DRAWN	BM	12/30/14

**PROPRIETARY AND CONFIDENTIAL**  
THE INFORMATION CONTAINED IN THIS DRAWING IS THE SOLE PROPERTY OF MP ANTENNA, LTD. ANY REPRODUCTION IN PART OR AS A WHOLE WITHOUT THE WRITTEN PERMISSION OF MP ANTENNA LTD IS PROHIBITED.

DESCRIPTION:  
900 SECTOR, 30 DEGREE

PART NO.  
08-ANT-0910