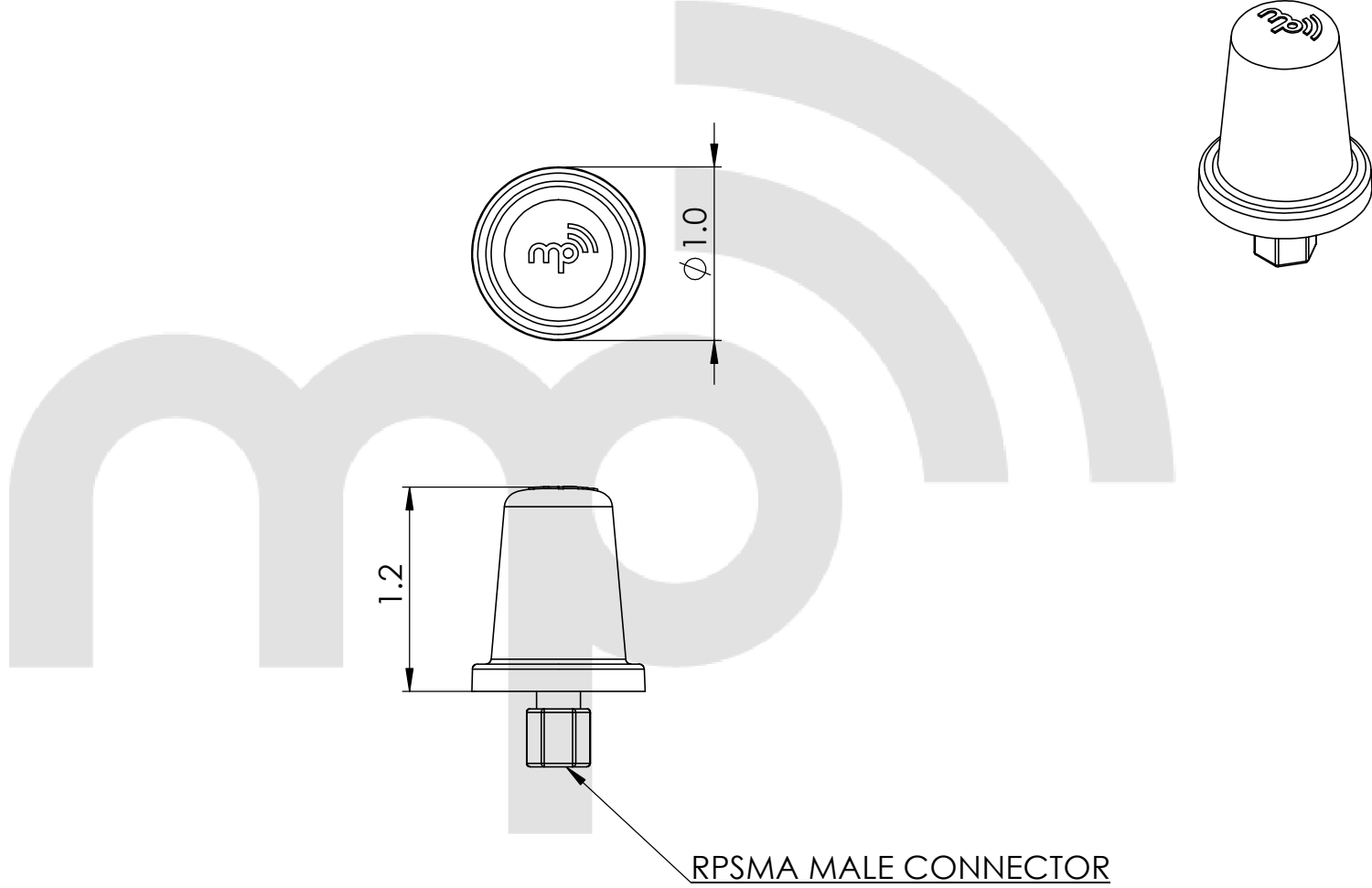


FREQUENCY	COLOR
2.2-2.6 GHz	BLACK



RPSMA MALE CONNECTOR

MP ANTENNA, LTD.
 147 Eady Court
 Elyria, OH 44035
 www.mpantenna.com

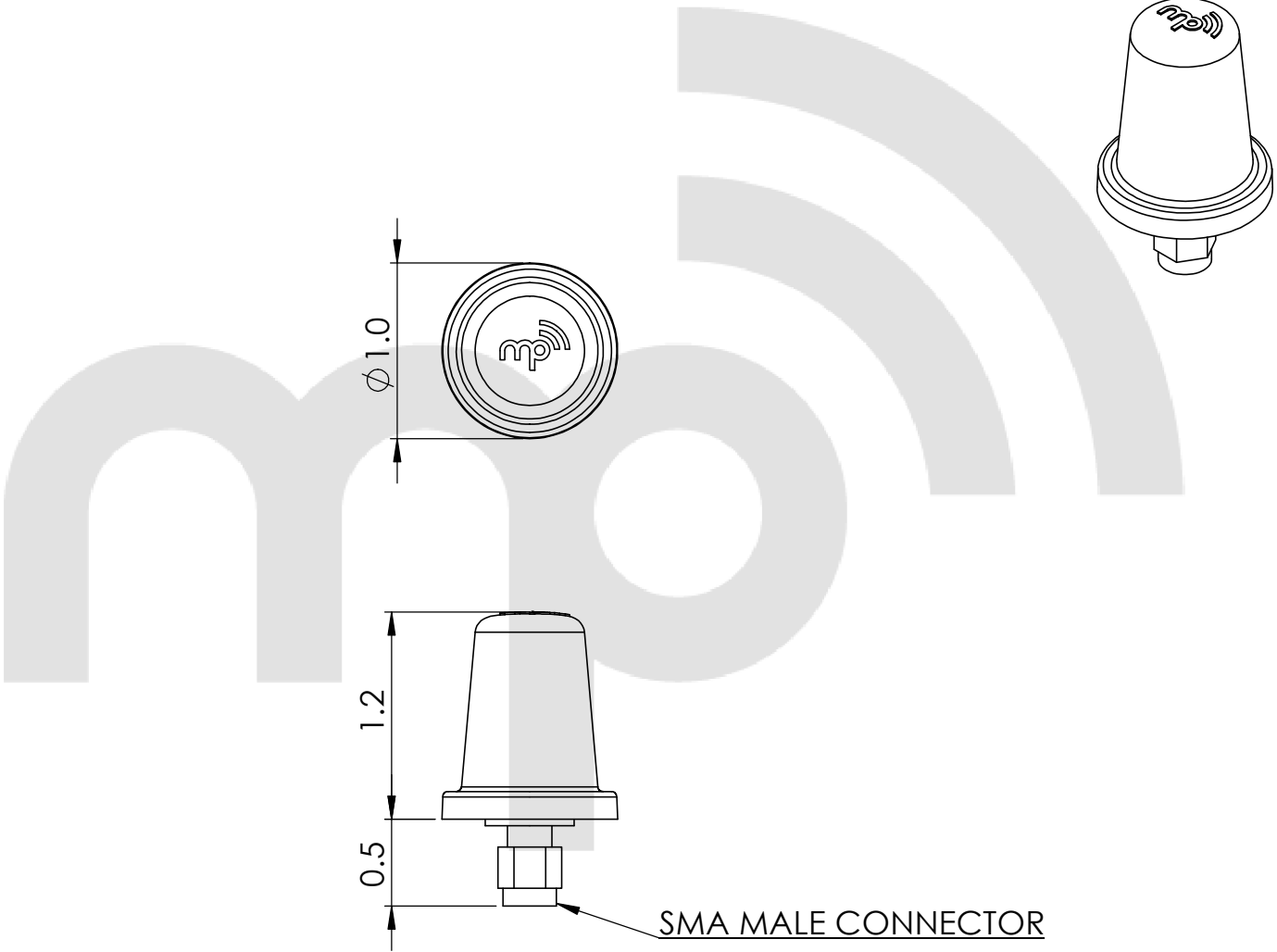
THIRD ANGLE	DIMENSIONS ARE IN INCHES	
	NAME	DATE
DRAWN	BM	2/17/15

PROPRIETARY AND CONFIDENTIAL
 THE INFORMATION CONTAINED IN THIS DRAWING IS THE SOLE PROPERTY OF MP ANTENNA, LTD. ANY REPRODUCTION IN PART OR AS A WHOLE WITHOUT THE WRITTEN PERMISSION OF MP ANTENNA LTD IS PROHIBITED.

DESCRIPTION:
 2.2-2.6 GHz Micro Omni

PART NO.
 08-ANT-0956-BL-A

FREQUENCY RANGE	COLOR
2.2-2.6 GHz	BLACK



SMA MALE CONNECTOR

MP ANTENNA, LTD.
147 Eady Court
Elyria, OH 44035
www.mpantenna.com

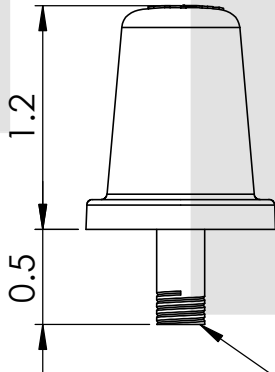
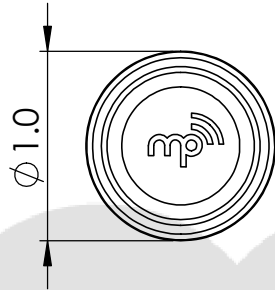
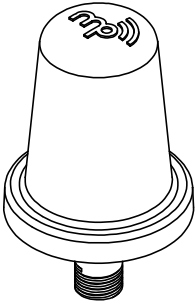
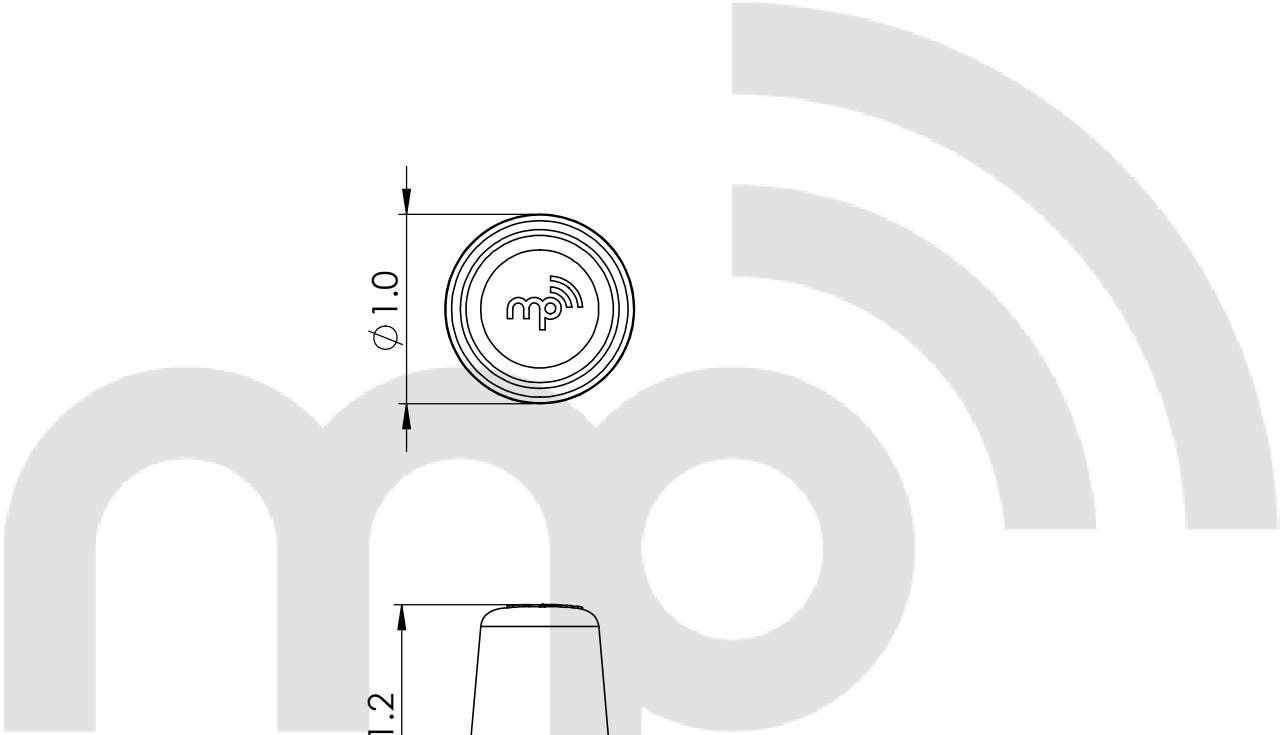
THIRD ANGLE	DIMENSIONS ARE IN INCHES	
	NAME	DATE
DRAWN	BM	1/12/15

PROPRIETARY AND CONFIDENTIAL
THE INFORMATION CONTAINED IN THIS DRAWING IS THE SOLE PROPERTY OF MP ANTENNA, LTD. ANY REPRODUCTION IN PART OR AS A WHOLE WITHOUT THE WRITTEN PERMISSION OF MP ANTENNA LTD IS PROHIBITED.

DESCRIPTION:
2.2-2.6 GHz Micro Omni

PART NO.
08-ANT-0956-BL-B

FREQUENCY RANGE	COLOR
2.2-2.6 GHz	BLACK



SMA FEMALE CONNECTOR

MP ANTENNA, LTD.
147 Eady Court
Elyria, OH 44035
www.mpantenna.com

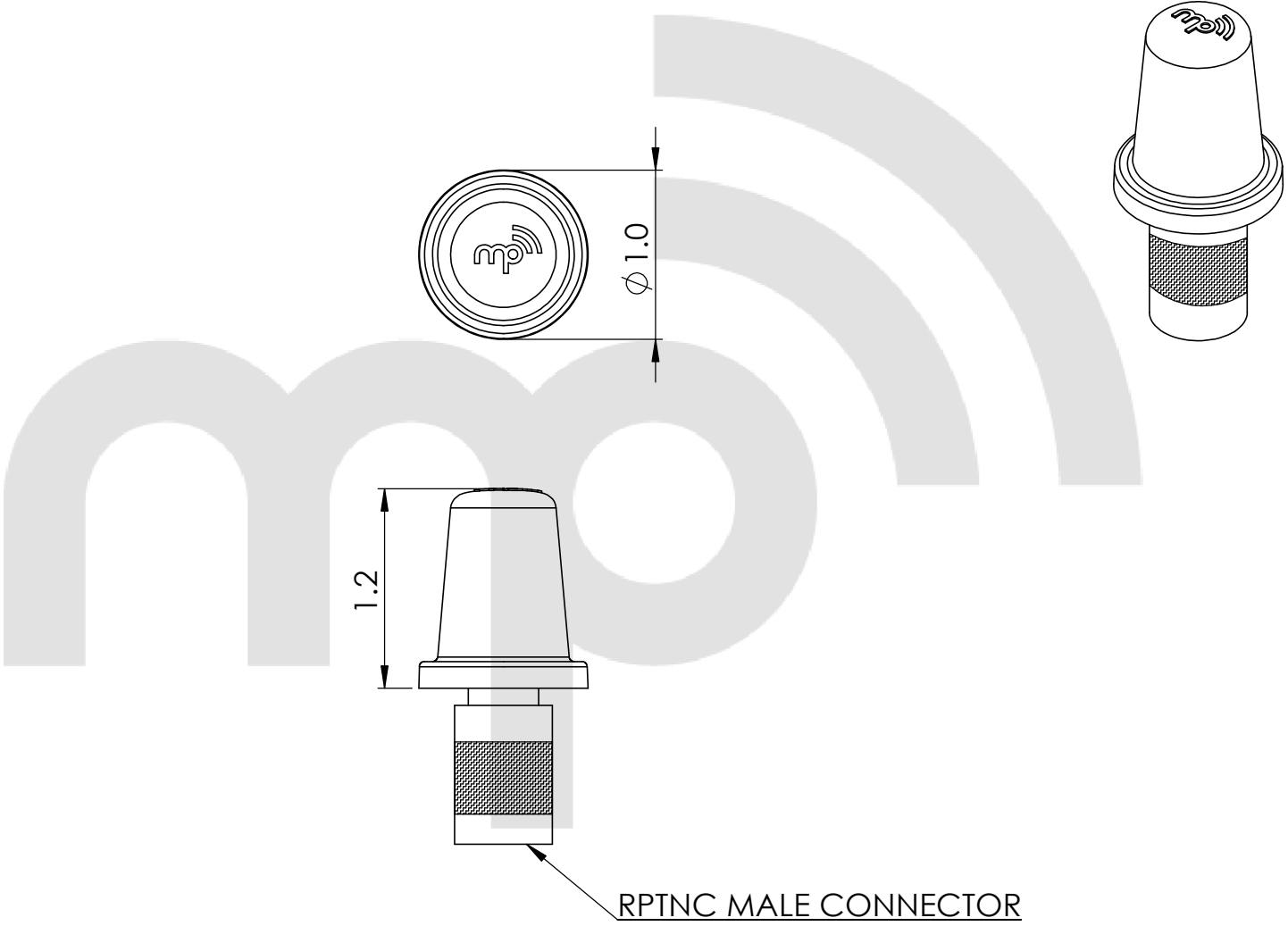
THIRD ANGLE	DIMENSIONS ARE IN INCHES	
	NAME	DATE
DRAWN	BM	1/12/15

PROPRIETARY AND CONFIDENTIAL
THE INFORMATION CONTAINED IN THIS DRAWING IS THE SOLE PROPERTY OF MP ANTENNA, LTD. ANY REPRODUCTION IN PART OR AS A WHOLE WITHOUT THE WRITTEN PERMISSION OF MP ANTENNA LTD IS PROHIBITED.

DESCRIPTION:
2.2-2.6 GHz Micro Omni

PART NO.
08-ANT-0956-BL-C

FREQUENCY	COLOR
2.2-2.6 GHz	BLACK



MP ANTENNA, LTD.
 147 Eady Court
 Elyria, OH 44035
 www.mpantenna.com

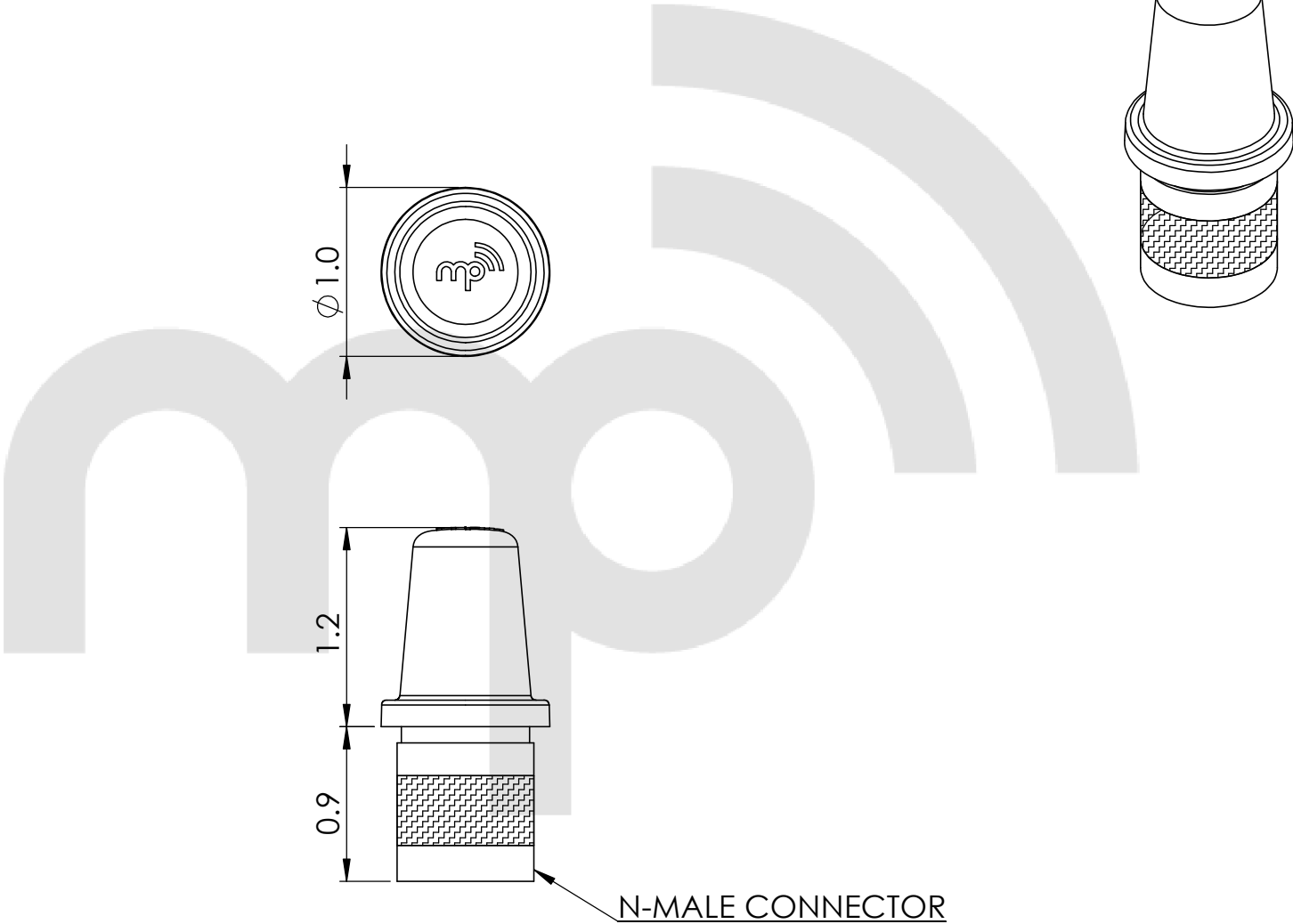
THIRD ANGLE	DIMENSIONS ARE IN INCHES	
	NAME	DATE
DRAWN	BM	2/17/15

PROPRIETARY AND CONFIDENTIAL
 THE INFORMATION CONTAINED IN THIS DRAWING IS THE SOLE PROPERTY OF MP ANTENNA, LTD. ANY REPRODUCTION IN PART OR AS A WHOLE WITHOUT THE WRITTEN PERMISSION OF MP ANTENNA LTD IS PROHIBITED.

DESCRIPTION:
 2.2-2.6 GHz Micro Omni

PART NO.
 08-ANT-0956-BL-D

FREQUENCY RANGE	COLOR
2.2-2.6 GHz	BLACK



MP ANTENNA, LTD.
 147 Eady Court
 Elyria, OH 44035
 www.mpantenna.com

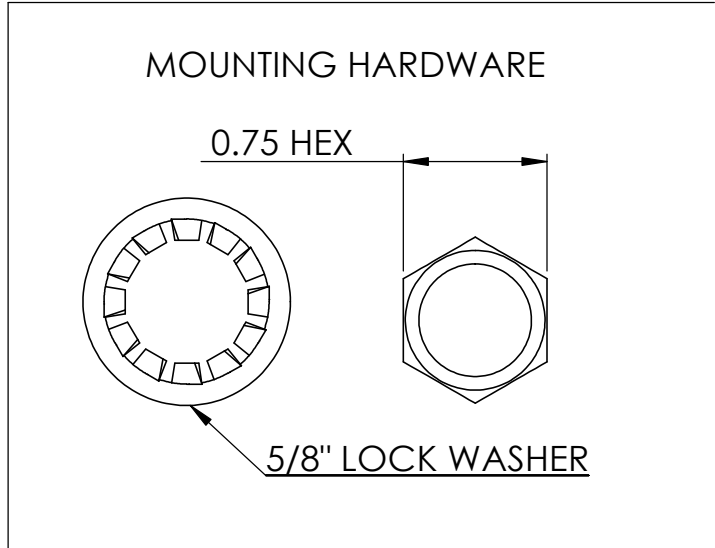
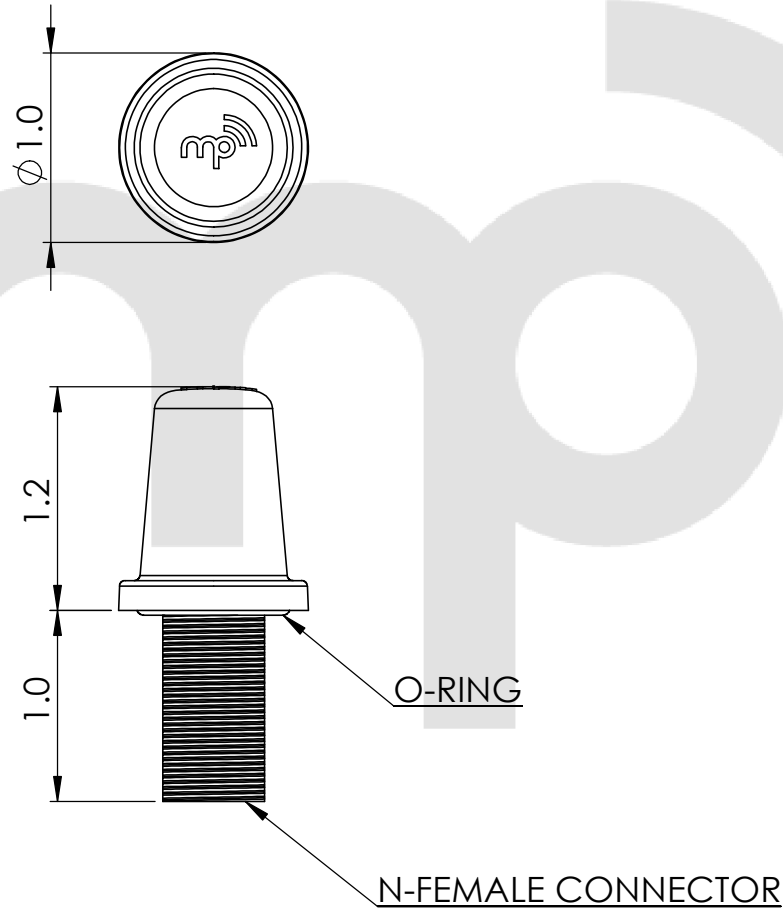
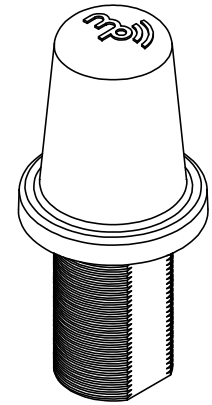
THIRD ANGLE	DIMENSIONS ARE IN INCHES	
	NAME	DATE
DRAWN	BM	1/12/15

PROPRIETARY AND CONFIDENTIAL
 THE INFORMATION CONTAINED IN THIS DRAWING IS THE SOLE PROPERTY OF MP ANTENNA, LTD. ANY REPRODUCTION IN PART OR AS A WHOLE WITHOUT THE WRITTEN PERMISSION OF MP ANTENNA LTD IS PROHIBITED.

DESCRIPTION:
 2.2-2.6 GHz Micro Omni

PART NO.
 08-ANT-0956-BL-G

FREQUENCY	MOUNTING HOLE DIAMETER	MAX MOUNTING SURFACE THICKNESS	COLOR
2.2-2.6 GHz	0.65 INCHES	0.4 INCHES	BLACK



MP ANTENNA, LTD.
 147 Eady Court
 Elyria, OH 44035
 www.mpantenna.com

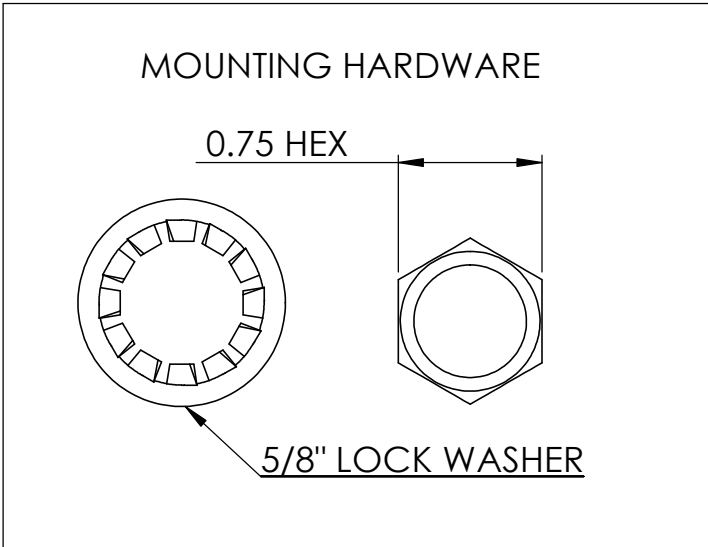
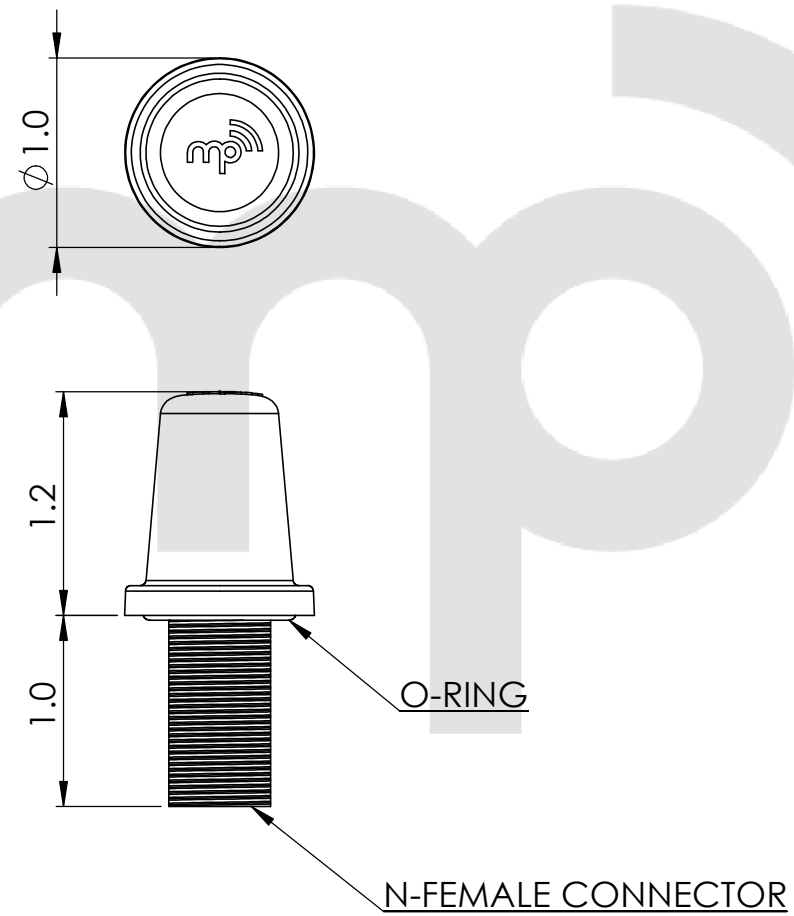
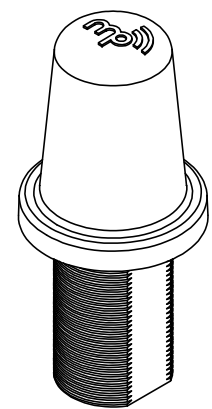
THIRD ANGLE	DIMENSIONS ARE IN INCHES	
	NAME	DATE
DRAWN	BM	1/7/15

PROPRIETARY AND CONFIDENTIAL
 THE INFORMATION CONTAINED IN THIS DRAWING IS THE SOLE PROPERTY OF MP ANTENNA, LTD. ANY REPRODUCTION IN PART OR AS A WHOLE WITHOUT THE WRITTEN PERMISSION OF MP ANTENNA LTD IS PROHIBITED.

DESCRIPTION:
 2.2-2.6 GHz Micro Omni

PART NO.
 08-ANT-0956-BL-M-1.0

FREQUENCY	MOUNTING HOLE DIAMETER	MAX MOUNTING SURFACE THICKNESS	COLOR
2.2-2.6 GHz	0.65 INCHES	0.4 INCHES	BLACK



MP ANTENNA, LTD.
 147 Eady Court
 Elyria, OH 44035
 www.mpantenna.com

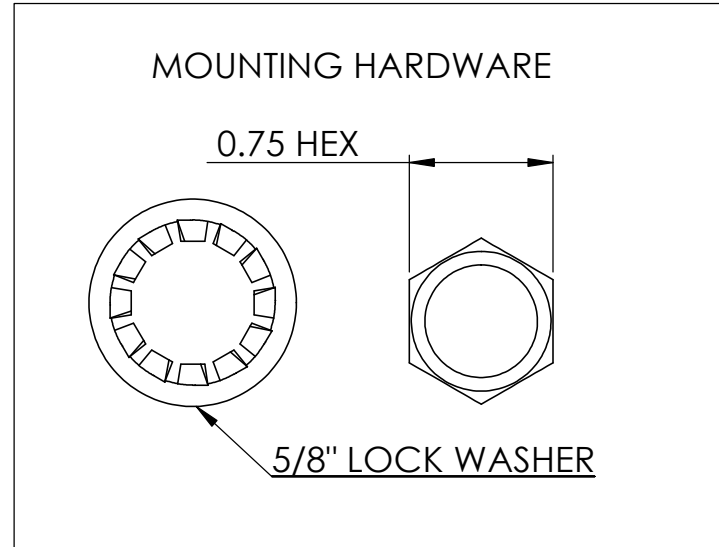
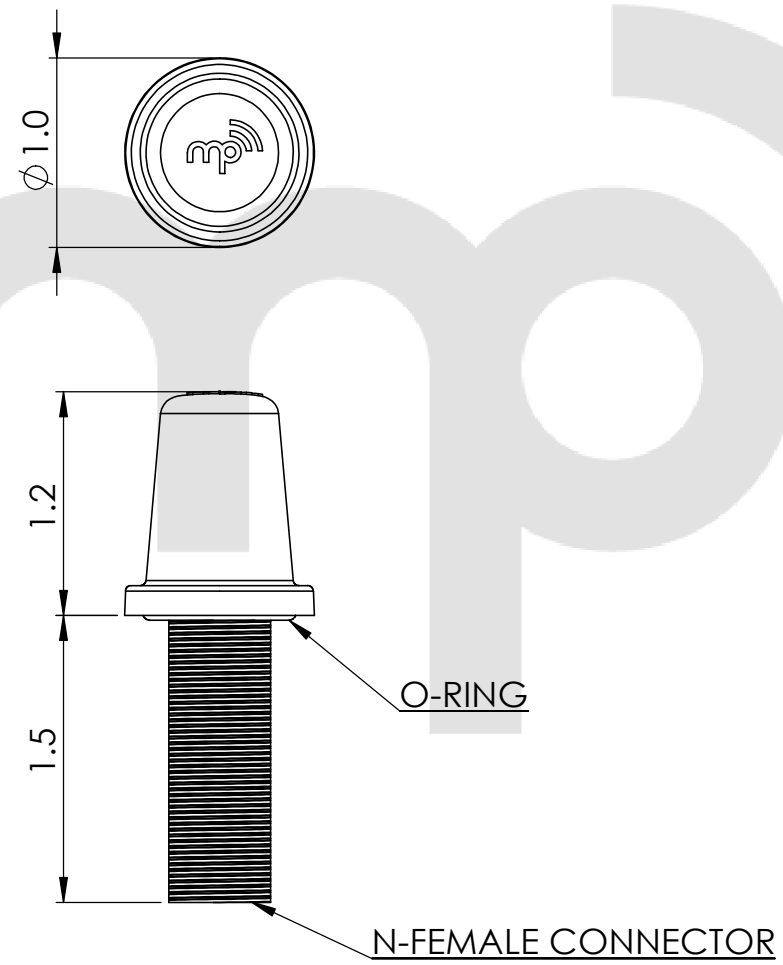
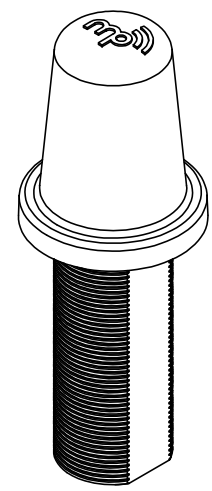
THIRD ANGLE	DIMENSIONS ARE IN INCHES	
	NAME	DATE
DRAWN	BM	1/7/15

PROPRIETARY AND CONFIDENTIAL
 THE INFORMATION CONTAINED IN THIS DRAWING IS THE SOLE PROPERTY OF MP ANTENNA, LTD. ANY REPRODUCTION IN PART OR AS A WHOLE WITHOUT THE WRITTEN PERMISSION OF MP ANTENNA LTD IS PROHIBITED.

DESCRIPTION:
 2.2-2.6 GHz Micro Omni

PART NO.
 08-ANT-0956-BL-M-1.0-GP

FREQUENCY	MOUNTING HOLE DIAMETER	MAX MOUNTING SURFACE THICKNESS	COLOR
2.2-2.6 GHz	0.65 INCHES	0.9 INCHES	BLACK



MP ANTENNA, LTD.
 147 Eady Court
 Elyria, OH 44035
 www.mpantenna.com

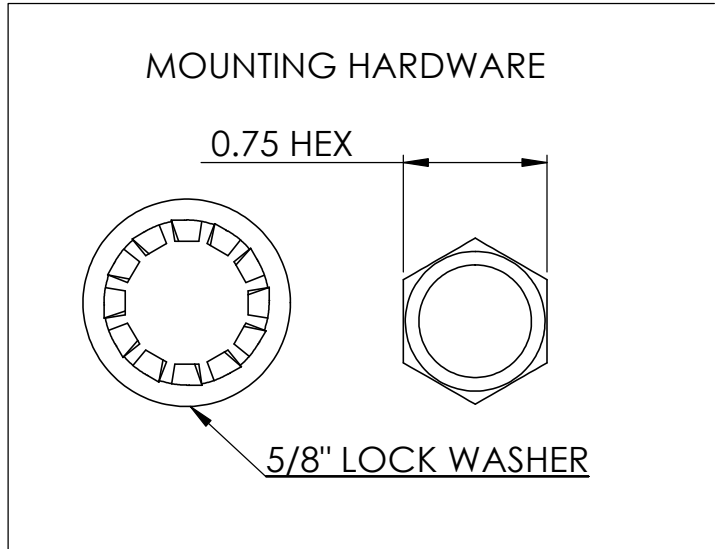
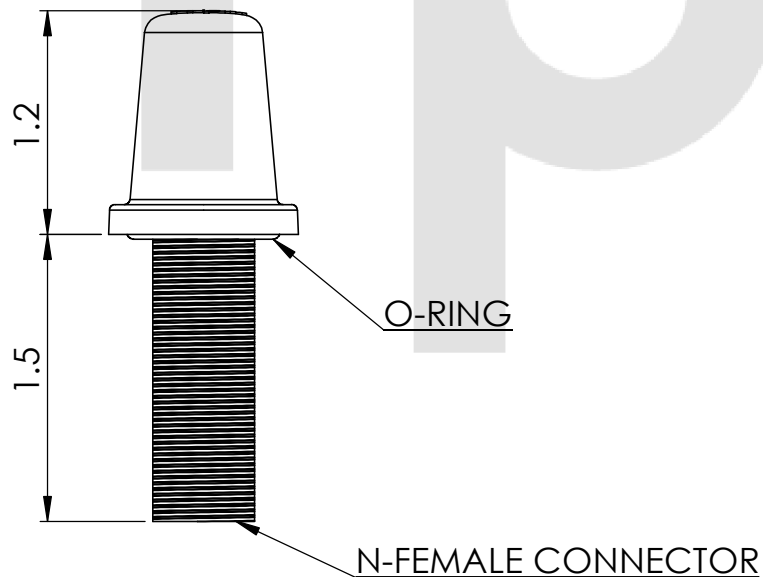
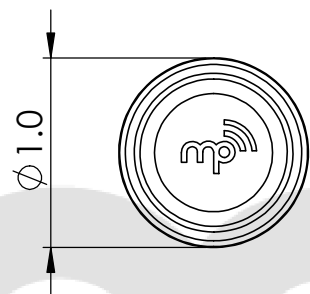
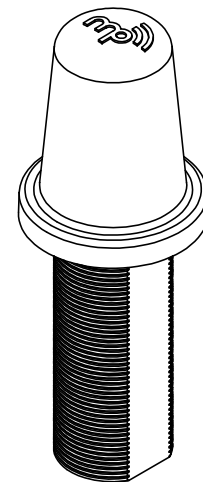
THIRD ANGLE		DIMENSIONS ARE IN INCHES	
	NAME	DATE	
DRAWN	BM	1/7/15	

PROPRIETARY AND CONFIDENTIAL
 THE INFORMATION CONTAINED IN THIS DRAWING IS THE SOLE PROPERTY OF MP ANTENNA, LTD. ANY REPRODUCTION IN PART OR AS A WHOLE WITHOUT THE WRITTEN PERMISSION OF MP ANTENNA LTD IS PROHIBITED.

DESCRIPTION:
 2.2-2.6 GHz Micro Omni

PART NO.
 08-ANT-0956-BL-M-1.5

FREQUENCY	MOUNTING HOLE DIAMETER	MAX MOUNTING SURFACE THICKNESS	COLOR
2.2-2.6 GHz	0.65 INCHES	0.9 INCHES	BLACK



MP ANTENNA, LTD.
 147 Eady Court
 Elyria, OH 44035
 www.mpantenna.com

THIRD ANGLE	DIMENSIONS ARE IN INCHES	
	NAME	DATE
DRAWN	BM	1/7/15

PROPRIETARY AND CONFIDENTIAL
 THE INFORMATION CONTAINED IN THIS DRAWING IS THE SOLE PROPERTY OF MP ANTENNA, LTD. ANY REPRODUCTION IN PART OR AS A WHOLE WITHOUT THE WRITTEN PERMISSION OF MP ANTENNA LTD IS PROHIBITED.

DESCRIPTION:
 2.2-2.6 GHz Micro Omni

PART NO.
 08-ANT-0956-BL-M-1.5-GP